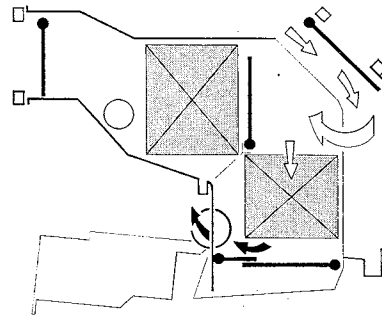
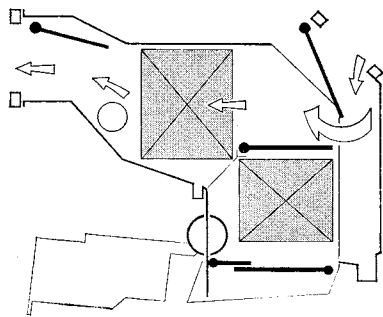


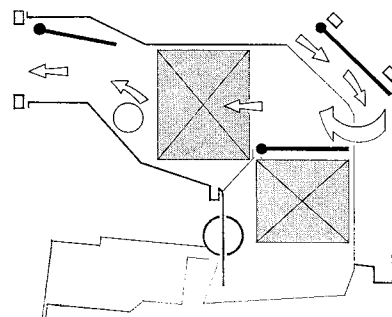
A



B



C



D

L097

- A Fresh hot air to footwells
- B Recirc. hot air to screen
- C Fresh cold air to facia
- D Recirc. cold air to facia

Fig. 82.03. Typical air flows